

Manitowoc® ICE MACHINES

INSTALLATION INSTRUCTIONS

This product qualifies for the following listings:



MODELS:

GD-0152A
GR-0150A
GD-0153W
GR-0151W

**KEEP THESE INSTRUCTIONS WITH THE OWNER/OPERATOR USE AND CARE GUIDE
FOR FUTURE REFERENCE**

General Safety Precautions

- **The ice machine must be installed according to these Installation Instructions.**
- **Connection to water service, drains, electrical service and grounding must comply with applicable local and state codes.**
- **Disconnect electrical service before servicing.**
- **Read and understand all instructions before placing the ice machine into service.**

General

The installation instructions are provided to assist the qualified installer. Check the yellow pages of your local telephone book for Manitowoc Ice Machine representation, or call Manitowoc Ice, Inc. for information regarding installation and start-up services available.

If any problem is encountered that is not covered by this manual, please contact your local Manitowoc Distributor or Manitowoc Ice, Inc. for assistance.

Table of Contents

| | |
|--|---|
| General Safety Precautions | 1 |
| General | 1 |
| Dimensions | 2 |
| Freight Damage and Claims Procedures | 2 |
| Unpacking Cartons | 3 |
| Location of Ice Machine | 3 |
| Electrical Service | 3 |
| Voltage | 3 |
| Fuse/Circuit Breaker | 3 |
| Minimum Circuit Ampacity | 3 |
| Water Service/Drains | 5 |
| Water Supply | 5 |
| Inlet Water Connections | 5 |
| Drain Connections | 5 |
| Installation Check List | 6 |
| Before Starting Ice Machine | 6 |

Part No. 80-0850-3

8-90

Rev. 1 (5-92)



Unpacking Cartons

1. Ice Machine
 - a. Cut bottom band on the carton.
 - b. Lift the carton off of the ice machine.
 - c. Screw the leveling legs onto the bottom of the ice machine and screw the "foot" of each leg in as far as possible, figure 1.
 - d. Level ice machine front to back and side to side.

NOTE: Do not tip the ice machine more than 45° to avoid oil migration in the refrigeration system.

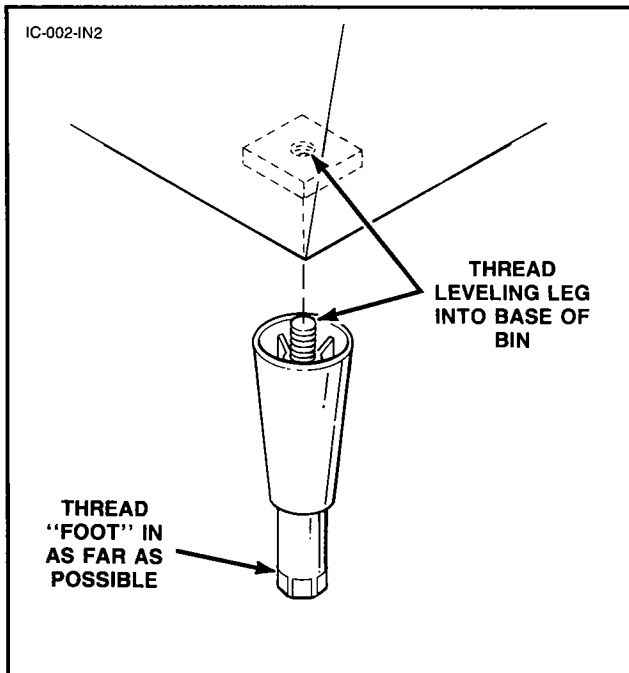


Figure 2

Location of Ice Machine

⚠ CAUTION

We do not recommend that this ice machine be installed in an area where the air temperature falls below 50°F or exceeds 90°F. If the ice machine will be subjected to below freezing temperatures, it must be protected. See **REMOVAL FROM SERVICE/ WINTERIZATION** in the Owner/Operator Use and Care Guide.

Select a location away from heat generating equipment and direct sunlight. Manitowoc ice machines operate most efficiently when:

LOCATED IN A CONTAMINANT FREE AREA - Air-cooled models especially should be installed in an area that is free of air-borne contaminants. An accumulation of contaminants on the condenser will adversely affect ice production.

INSTALLED WITH A MINIMUM OF FIVE INCHES OF CLEARANCE AT SIDES AND REAR - Adequate air flow through and around the ice machine is essential to maximum ice production and long component parts life.

CONNECTED TO A COLD WATER SUPPLY.

Electrical Service, Figure 3

⚠ CAUTION

ALL WIRING MUST CONFORM TO LOCAL, STATE AND NATIONAL CODES.

The ice machine has a six foot cord and must be plugged into a 15 amp maximum electrical outlet.

⚠ CAUTION

NEVER USE AN EXTENSION CORD. IF AN OUTLET IS NOT WITHIN REACH OF THE ICE MACHINE'S POWER CORD, HAVE A 15 AMP OUTLET WIRED CLOSER.

115 VOLT 60 CYCLE 1 PHASE
TOTAL AMPS: AIR COOLED - 8.6 AMP
 WATER COOLED - 5.8 AMP

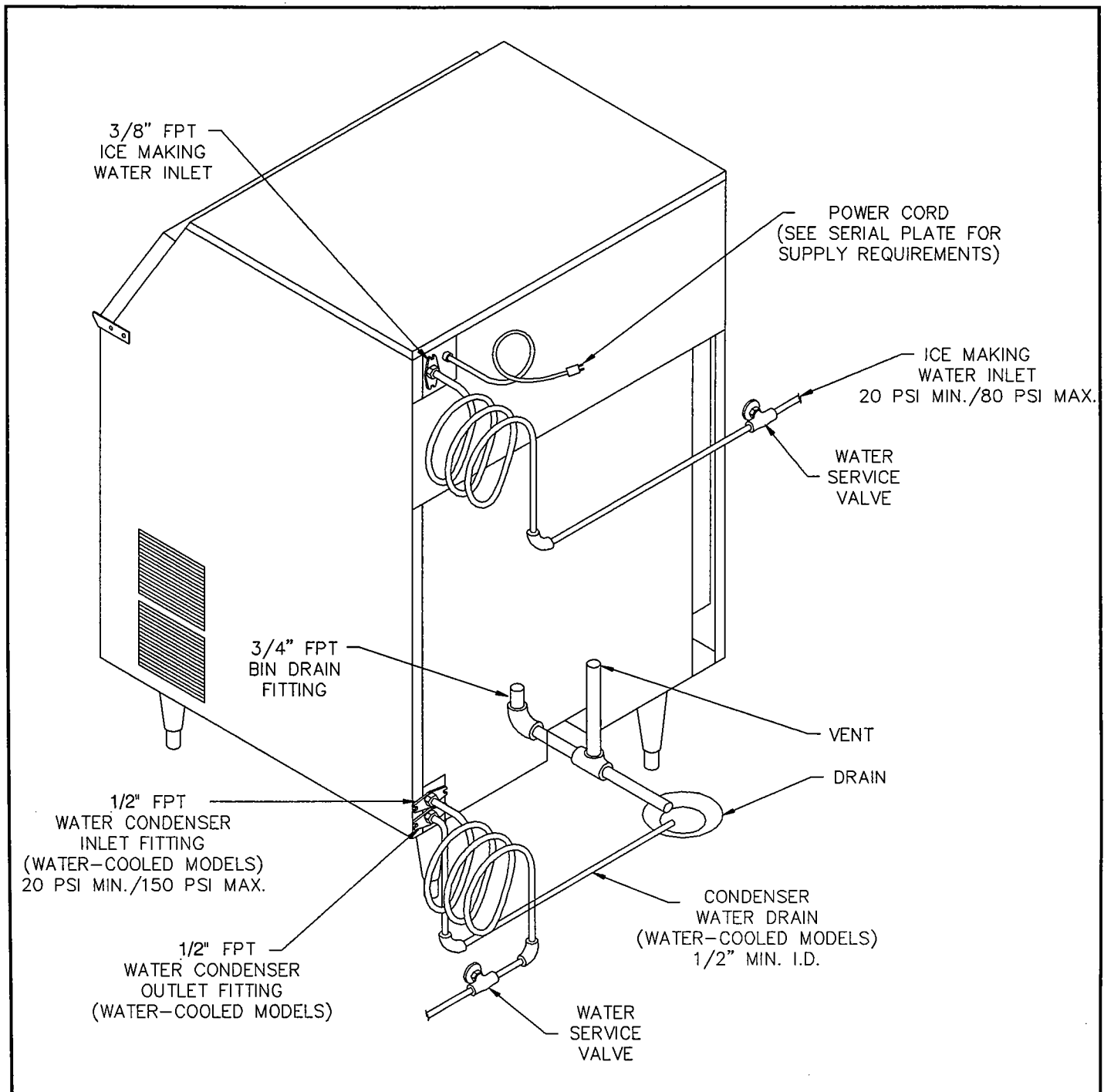


Figure 3

Water Service/Drains, Figure 3

▲ CAUTION

PLUMBING MUST CONFORM TO LOCAL AND STATE CODES.

WATER SUPPLY

Local water conditions may require the installation of water treatment devices in the ice making water supply line.

If water treatment systems such as deionization or reverse osmosis, or if distillation is to be used, contact your Manitowoc distributor for instructions.

Temperature: Minimum 33°F, Maximum 90°F.

The ice machine must not be connected to a hot water supply. Be sure all hot water restrictors (check valves) installed for other equipment (sink faucets, dishwashers, etc.) are in working order.

Ice making water pressure: Minimum 20 psi, Maximum 80 psi

If water pressure exceeds maximum psi, obtain a pressure regulator (Part No. 13-6122-1) from your Manitowoc distributor.

Condenser pressure (water-cooled models): Minimum 20 psi, Maximum 150 psi

INLET WATER CONNECTIONS

Ice making water: 3/8 inch F.P.T.

Condenser (water-cooled models): 1/2 inch F.P.T.

All water connections must conform to local and national codes. Install a shut-off valve for both the ice making and condenser water lines. All water lines should be insulated to prevent condensation.

The ice making water supply is connected to a 3/8 inch female pipe fitting in the rear panel. Use 3/8 inch O.D. tubing.

The condenser water supply is connected to a 3/8 inch female pipe fitting in the rear panel. Use a minimum of 1/2 inch O.D. tubing up to the 1/2 inch fitting.

DRAIN CONNECTIONS

Condenser drain (water-cooled models only): 1/2 inch F.P.T.

Bin drain: 3/4 inch F.P.T.

Use the following guidelines to prevent backflow of drain water into the ice machine/storage bin.

- Drain lines must have 1-1/2 inch drop per 5 feet of run. Do not create any traps.
- The floor drain must be sized to accommodate drainage from all drains.
- The ice machine storage bin drain line requires a minimum of 3/4 inch I.D. tubing.
- The ice machine storage bin drain must be vented to atmosphere. Do not vent condenser drain (water-cooled models).

Installation Check List

- Is ice machine level?
- Has all internal packing been removed?
- Have all electrical and water connections been completed?
- Has supply voltage been tested and checked against the rating on the nameplate?
- Is there a minimum of 5 inches clearance around the ice machine for proper air circulation?
- Is the ice machine installed where ambient temperatures will not vary below 50°F or above 90°F? Incoming water temperature range 33°F/90°F. (See Use and Care Guide for winterizing.)
- Is there a separate drain for the water-cooled condenser?
- Are ice machine and bin drains vented?
- Are all electrical leads free from contact with refrigeration lines and moving components?
- Has filter screen in float valve been cleaned? See Figure 4.
- Has owner/operator been instructed regarding maintenance procedures and the use of Manitowoc Cleaner and Sanitizer?
- Has owner/operator completed the warranty registration card?
- Has Owner/Operator Use and Care Guide been left with owner/operator?
- Was the ice machine sanitized? - see label on ice door.

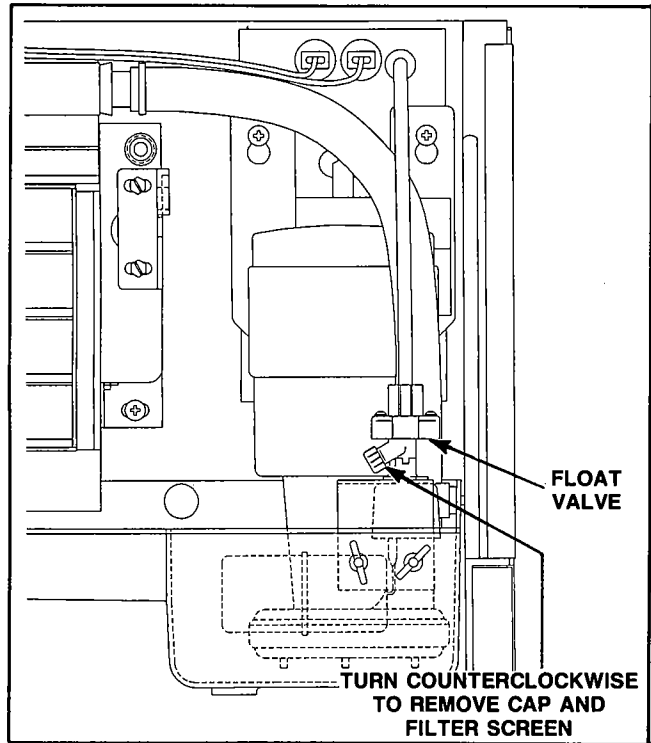


Figure 4

Before Starting Ice Machine

All Manitowoc Ice Machines are factory operated and adjusted before shipment. Normally no adjustments are necessary for new installations.

To ensure proper operation, follow the OPERATIONAL CHECK in the Owner/Operator Use and Care Guide.

Starting the ice machine and completing OPERATIONAL CHECK is the responsibility of the owner/installer. Adjustments and maintenance as outlined in the Owner/Operator Use and Care Guide are not covered by warranty.

MANITOWOC ICE, INC.

2110 South 26th Street P.O. Box 1720

Manitowoc, WI 54221-1720

Phone: (920) 682-0161

Fax: (920) 683-7585

Web Site: www.manitowocice.com

© 1999 Manitowoc Ice, Inc.

Litho in U.S.A.